

TITAN 15 & 17

Rear Discharge Spreaders

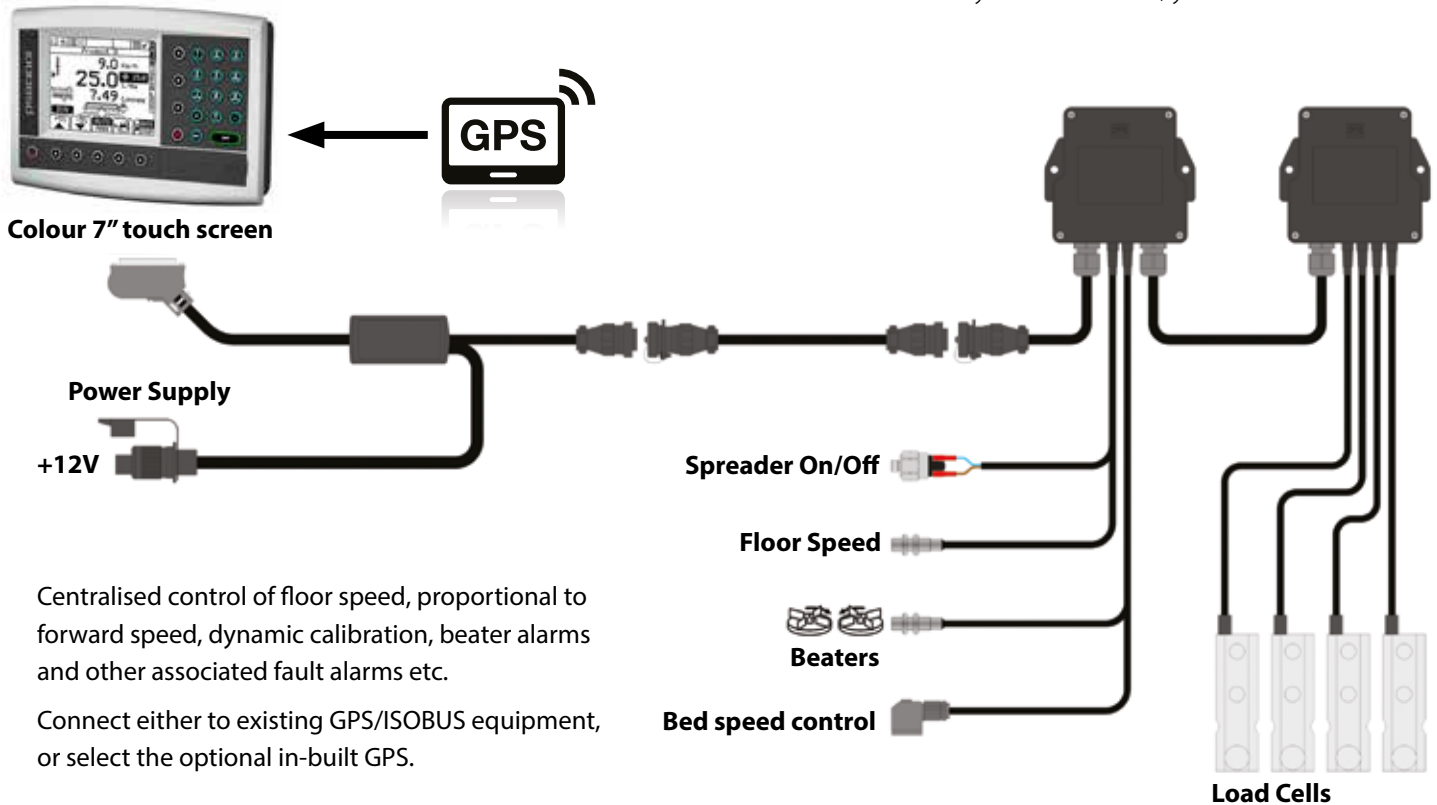
Teagle



www.teagle.co.uk

Weigh cell enabled

The latest variable rate technology for precision farming, linking GPS and weigh cells, enables you to set and monitor spread rates on the move. Available as factory fit or retro-fit, your choice.



Centralised control of floor speed, proportional to forward speed, dynamic calibration, beater alarms and other associated fault alarms etc.

Connect either to existing GPS/ISOBUS equipment, or select the optional in-built GPS.

Running gear to meet the new standards

A high specification ensures that the specific demands of large scale operators are fulfilled, and critical compliance to European Homologation Standards is also met.



1 Specify your hitch

The heavy-duty drawbar combines strength, and the flexibility offered by a bolt-on hitch to match your operational and tractor requirements.



2 Safe Braking

A dual supply Air and Hydraulic braking system is integrated with high-speed 10-stud Commercial Axles.

Mudguards are fitted as standard.



3 Ride Comfort

A heavy duty 13-leaf sprung drawbar is fitted with low maintenance bushes at the pivot points. Drawbar angle can be set to optimise spreading performance.



4 High Visibility

LED road lights (with tailgate operated lens protection) and an amber flashing strobe beacon are fitted as standard.

TITAN 15 & 17



SUITABLE FOR: All manure types from digestate and muck to litter and compost.

A fine and even spread

Large diameter beaters deliver industry leading tip speeds, with shallow pitch augers featuring deep tip overlap to ensure a high performance chopping and mixing action.

SPECIFICATIONS	TN15	TN17
Approx. capacity (heaped)	15.4m ³	17.2m ³
Approx. capacity (heaped with side extensions)*	18.0m ³	20.1m ³
Overall length	7.92m	8.52m
Overall width with 580/70 R38 wheels	2.9m	2.9m
Loading height on standard wheels	2.56m	2.56m
Unladen weight	6,280kg	6,560kg
Std. wheel size*	580/70 R38	580/70 R38
PTO	WAJ	WAJ

*Optional 300mm side extensions and wheel sizes available.

Beater dia.	Tip Speed	Tip Overlap
900mm	20m/s	130mm



Specifically designed for large scale operators demanding high output, reliability and the latest technology.

Electronic bed speed control



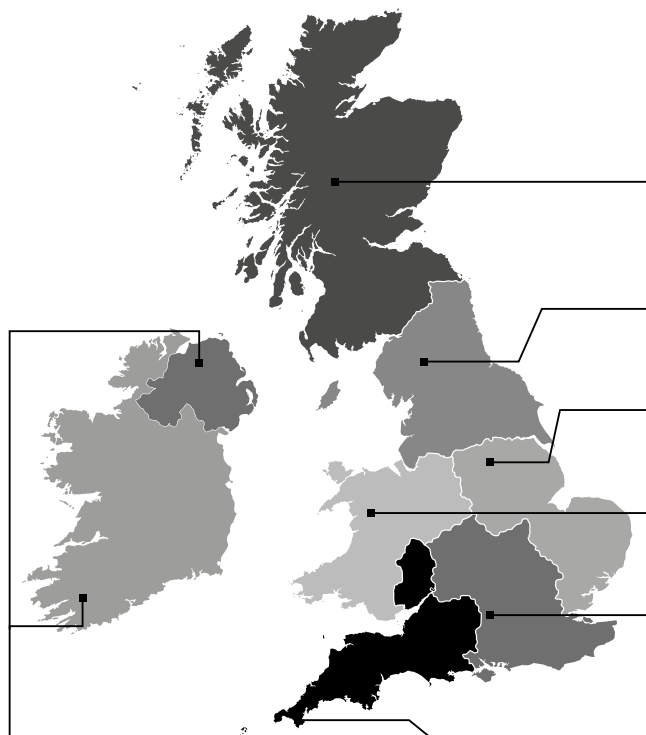
Optional Control Desk enables the operator to adjust application rate from the comfort of the cab.

Teagle

With over 40 years experience since the introduction of the first Titan Muckspreader, Teagle has established an international reputation for designing and manufacturing a range of high performance muckspreaders.

Contact us today to discuss your individual requirements.

**call our Sales Desk:
01872 560592**



Scotland Manager
David Haggart 07970 136616
david.haggart@teagle.co.uk

North Manager
Gary Eastham 07866 532666
gary.eastham@teagle.co.uk

East Manager
David Threadgold 07970 136615
david.threadgold@teagle.co.uk

West Manager
Steve Offland 07970 462240
steve.offland@teagle.co.uk

South East Manager
Chris White 07970 136614
chris.white@teagle.co.uk

South West Manager
Mike Sanders 07970 836705
mike.sanders@teagle.co.uk

European Sales Manager
Werner Brach +44 (0)7800 731250
werner.brach@teagle.co.uk

TITAN 6

6.3m³



TITAN 8

8.2m³



TITAN 9

9.4m³



TITAN 10

10.2m³



TITAN 12

12.1m³



Teagle

Teagle Machinery Ltd

Blackwater, Truro, Cornwall TR4 8HQ
sales@teagle.co.uk www.teagle.co.uk

Tel: 01872 560592